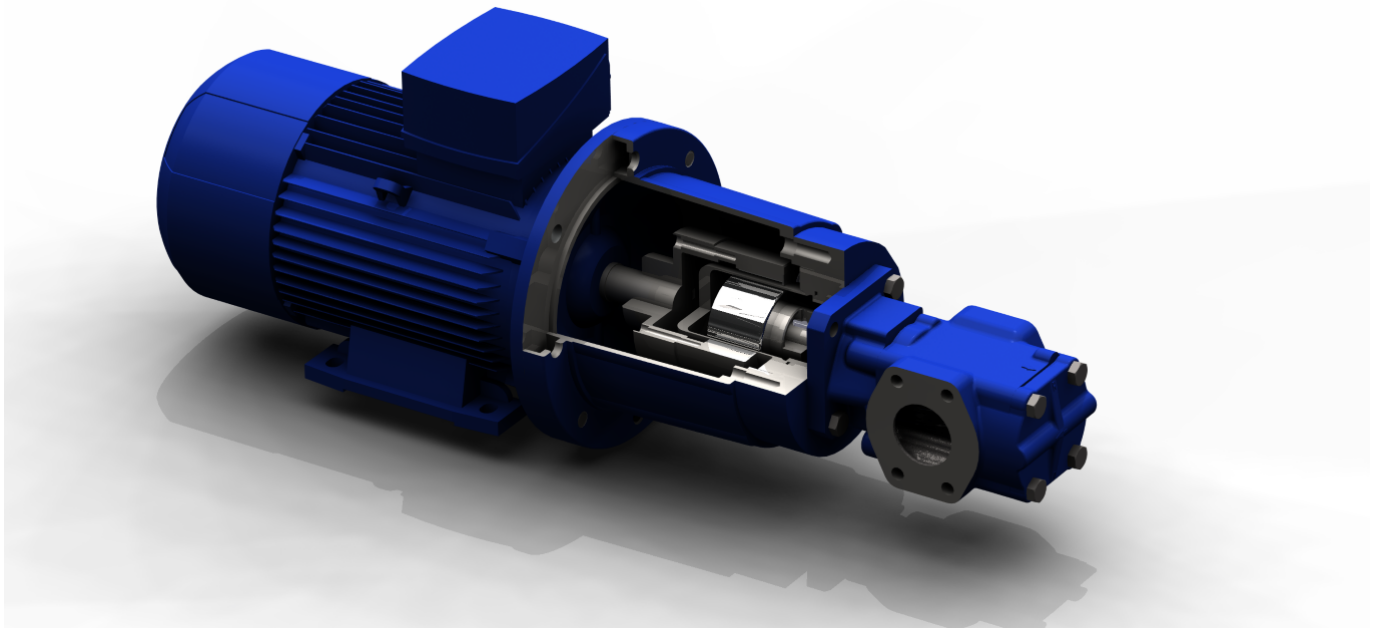


GEAR PUMP WITH MAGNETIC COUPLING



The standard R5 series is now available in sizes R25 to R45 with magnetic coupling

Instead of contacting, dynamically loaded seals, the magnetic coupling of pump units guarantees the hermetic separation of the drive and driven side. As a permanent magnetic synchronous coupling, it transmits the torque contactless through the magnetic forces between the inner and outer rotor. The actual main component is the containment shroud, which is firmly fixed to the pump and separates the inner and outer rotors.

- Hermetic sealing is recommended when there is a requirement that there must be absolutely no leakage of critical media
- Ideal for special applications, e.g. for vacuum operation or in systems with high inlet pressure
- Can be supplied in stainless steel or PEEK depending on pressure and temperature range
- Available up to size R45/200, i.e. max. displacement volume 200 cm³/revolution and flow rates up to 600 litres/min.
- Max. transmittable torque up to 280 Nm
- Max. permissible outlet pressure 25 bar
- Max. permissible inlet pressure 16 bar (for special solutions up to 60 bar possible)

Further application limits and operating data can be found in the data sheet for gear pumps R25/2.5 to R105/2400 as well as possible combinations with the well-known design variants of the R5 series.

Do you have any specific applications?

Contact us and together with you we will find the optimal solution for your application and will be pleased to submit a tentative quotation.

RICKMEIER.
PUMPENTECHNOLOGIE

RICKMEIER GmbH
Langenholthäuser Str. 20-22 · D-58802 Balve
Fon: +49 2375 927-0 · Fax: +49 2375 927-26
E-Mail: kontakt@rickmeier.de
www.rickmeier.de